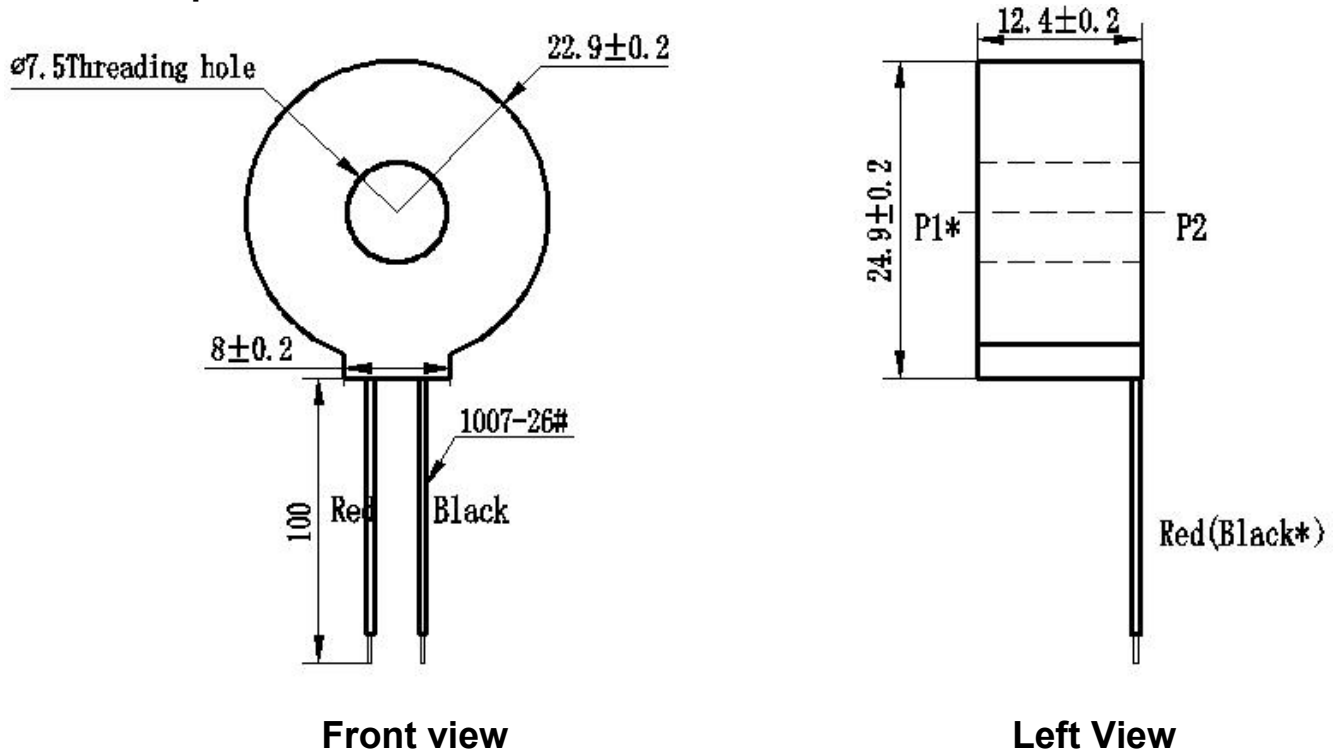


# ZMCT134 Current Transformer

Small size, high accuracy, good consistency, for current and power measurement

## Structural parameters:



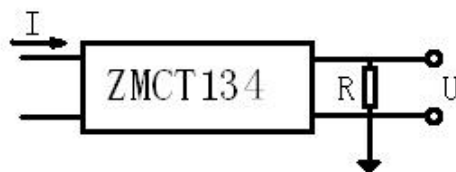
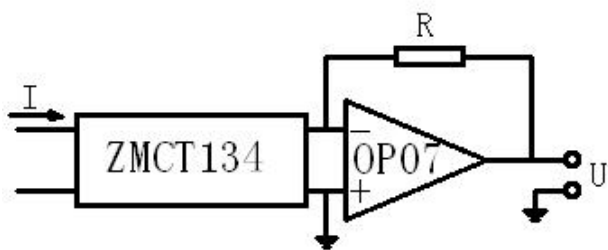
Front view

Left View

## The main technical parameters:

model	ZMCT134
input current	0~40A (sampling resistor 50Ω)
Rated output current	2.5mA at input 5A
turns ratio	2000:1
phase angle error	≤30' (input 5A, sampling resistor 50Ω)
linear range/current range	0~40A (sampling resistor 50Ω)
linearity	≤0.2%(5%~120%)
Permissible error	-0.2%≤f≤+0.2% (input 5A, sampling resistor 50Ω)
isolation voltage	4500V
application	Current and power measurement
Encapsulation	Epoxy
installation	Output leads installation (conventional lead length shown in drawing)
operating temperature	-40℃~+85℃

Direction for use:



$$U = \frac{I}{2000} \cdot R$$

I: input current  
R: sampling resistor  
U: sampling voltage

Figure I

Figure II

1. ZMCT134 used for measurement. Typical usage is shown in Figure 1 and Figure 2. R is a sampling resistor.