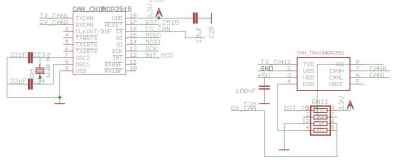
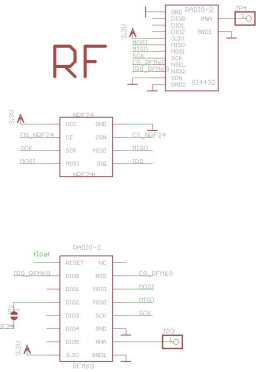


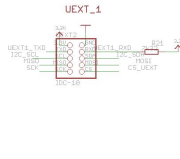
CAN



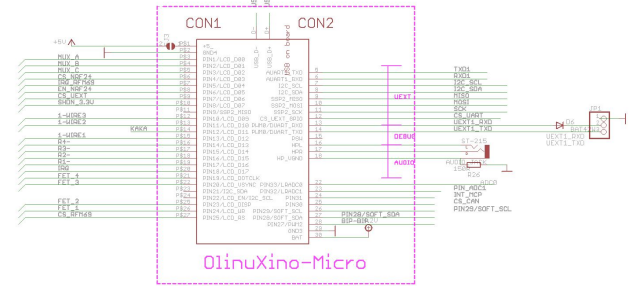
RF



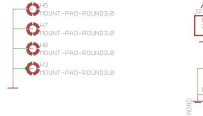
UEXT



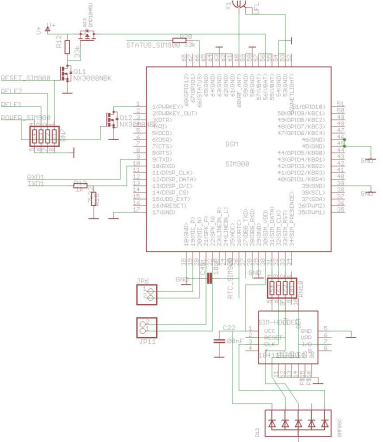
Pinout of Olinuxino



mounting holes reper point



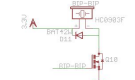
GPRS



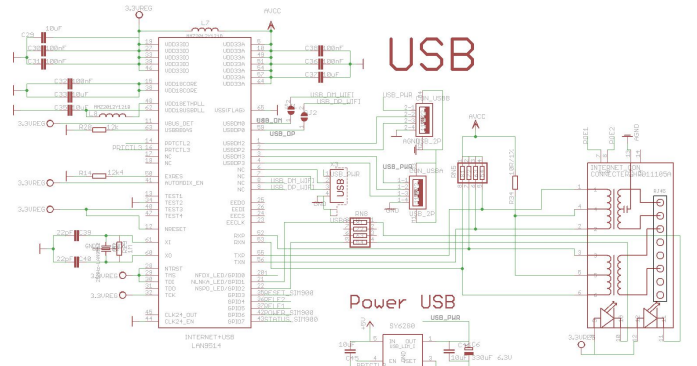
WI-FI



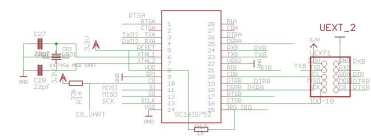
Bip-Bip



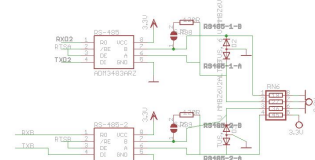
Ethernet



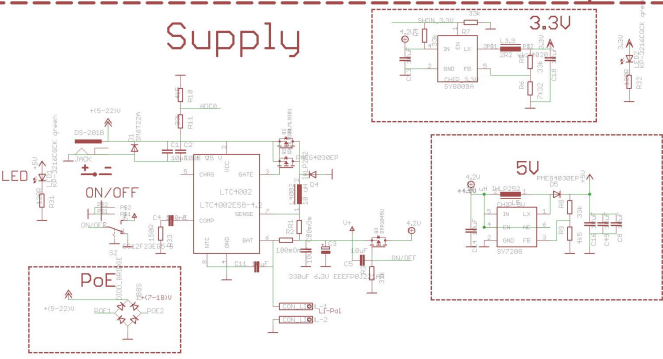
UART



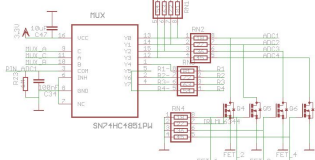
RS-485



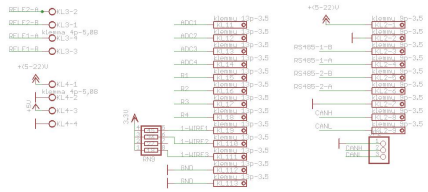
Supply



ADC&mosfets



Terminal Blocks



RTC

