

Split Core Current Transformer KCT-16

The KCT-16 Series are split-core current transformers. The CT can be mounted to existing panels, such as control centers or load centers, to measure or monitor wattage. These CTs can be mounted without removing existing cables for easier installation



Electrical Specifications

Rated Primary Current(Amp.) 50/60Hz	120A
Max. Current (continuous)	144A
Turnn ratio	3000:1
Current Ratio	120A/40mA
D.C.Resistance Max at 20 °C	50 Ω
Accuracy @ $R_L \leq 10 \Omega$	0.5%
Phase error at rated current range	$\leq 1.5^\circ$
Operating Temperature Range	-40~65°C
Storage Temperature Range	-45~95°C
Dielectric Withstanding Voltage(Hi-pot)	3.5KV/1mA/1min
Insulation Resistance	DC500V/100MΩ min
Temperature error of current ratio	<50ppm/K

Mechanical Specifications

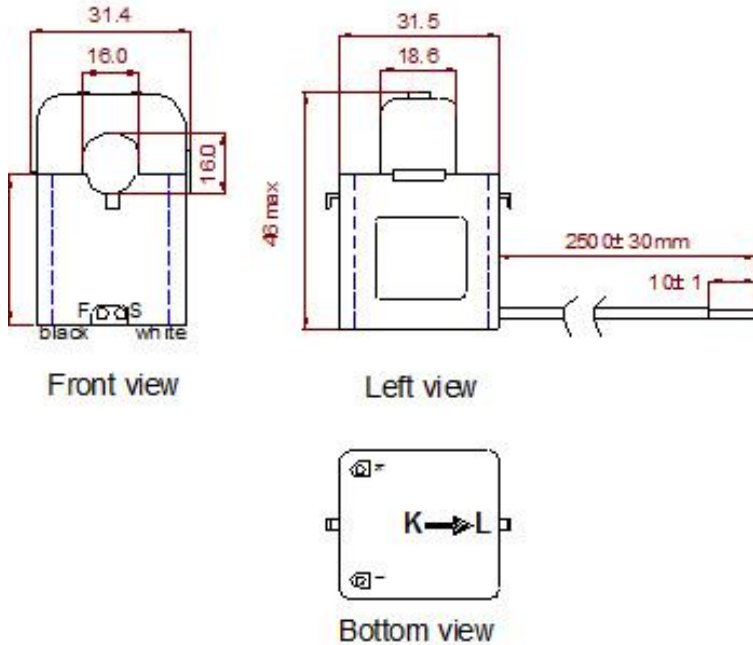
Housing	PA66 (FOR UL 94-V0)
Opening Angle	180 degree
Output type	UL1015 24AWG (600V,105°C)
Approx.Weight	110g
Bobbin	PBT

HEYI ELECTRICAL CO.,LIMITED

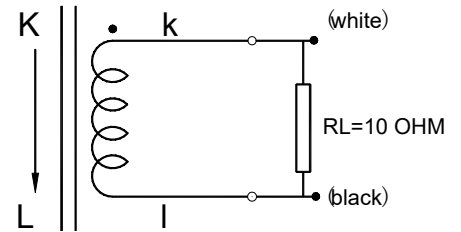
Tel: +86-577-62659558 Fax: +86-577-62650363

Web: [Http://www.heyiele.com](http://www.heyiele.com) Mail: bethy@heyiele.com

Mechanical Dimensions in mm



Test Circuit:



Applications:

- Current Measurement
- Monitoring & Protection

Advantage:

- Mount easy
- Excellent linearity over the whole range
- Fully RoHS Compliant.

Material List:

NO	ITEM	DESCRIPTION	UL Card	MATERIAL	NOTE
1	CORE		/	FERRET CORE	
2	HOUSING	PA66	E135714	PA	
3	BOBBIN	PBT3883	E107536	PBT	
4	WIRE	2UEW	E164502	UEW/U	
5	LEAD WIRE	UL1015 24AWG	E189674	PVC	105°C 600V
6	SOLDER	99.3%	/	Sn	
7	TAP	MYLAR	E178169	PET	

CUSTOMER APPROVED

Approved by	Checked by	Acknowledged by

CUSTOMER P/ N(VER): _____

HEYI ELECTRICAL CO.,LIMITED

Tel: +86-577-62659558 Fax: +86-577-62650363

Web: [Http://www.heyiele.com](http://www.heyiele.com) Mail: bethy@heyiele.com